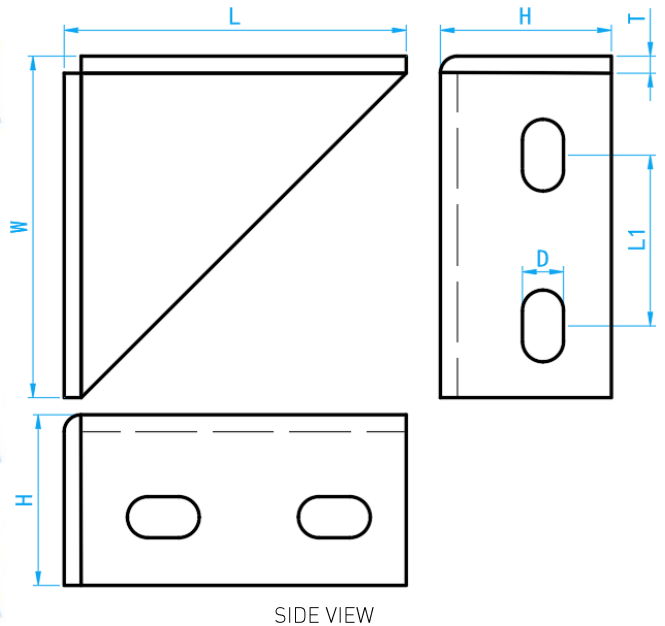
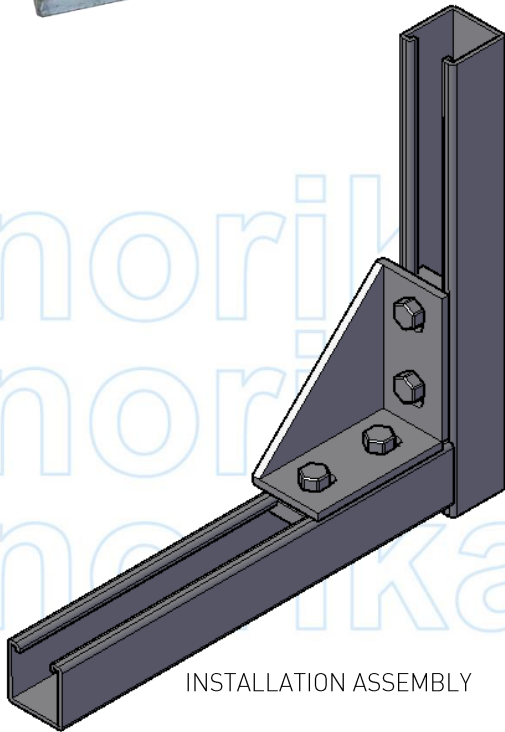
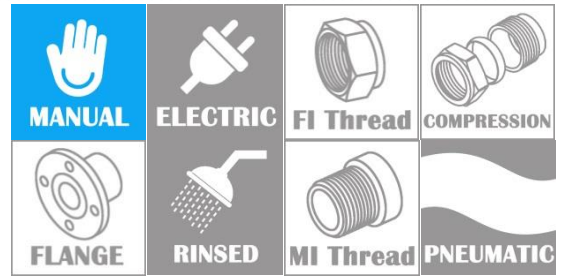


# UNISTRUT 90° CORNER MOUNTING BRACKET



## COMPONENT PARTS

MATERIAL	Mild Steel
COATING	Cold Galvanized

## DIMENSIONS

SKU	Material	L (mm)	L1 (mm)	H (mm)	W (mm)	D (mm)	T (mm)	WEIGHT (kg)	PCS/CTN
OLSACB	Cold Galvanized	100	50	50	100	12	5	0.428	50